

# Quick Guide

## BXT3-13



Light application  
PP & PET / 9–13 mm



## BXT3-16



Universal application  
PP & PET / 13–16 mm



## BXT3-19



Heavy industry application  
PP & PET / 16–19 mm



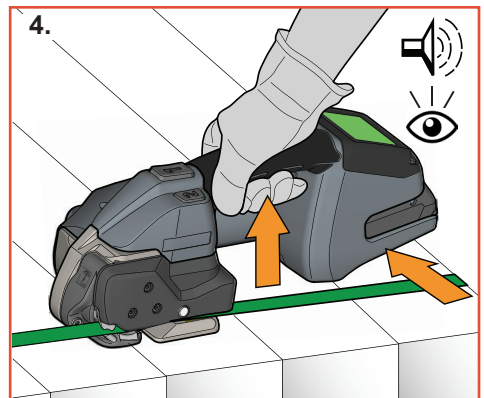
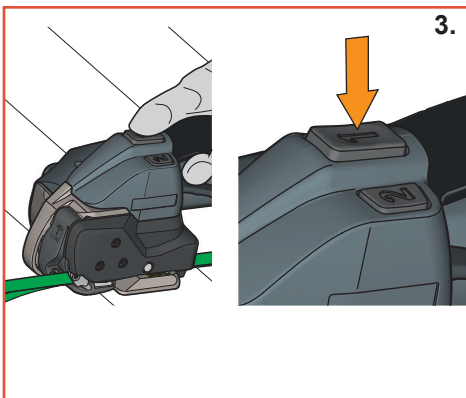
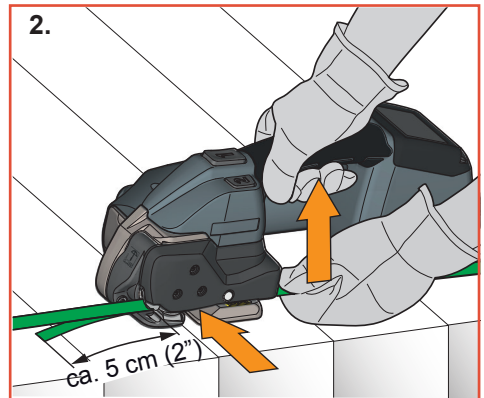
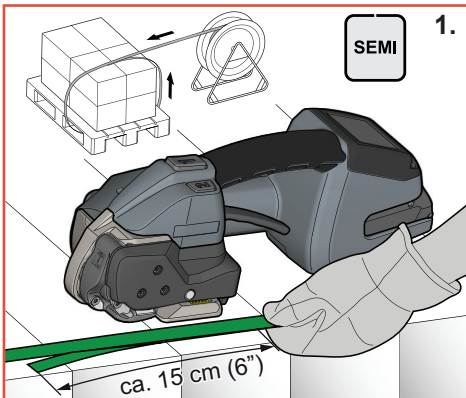
# Package content



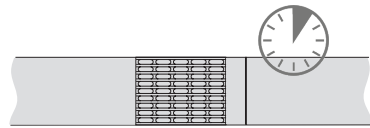
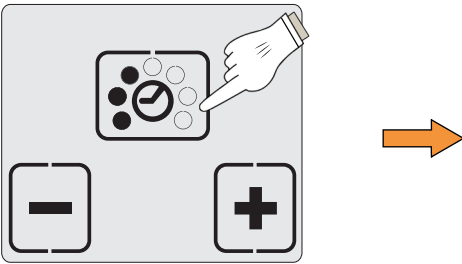
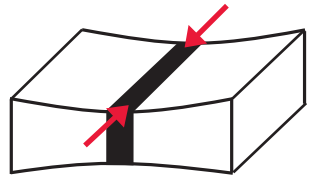
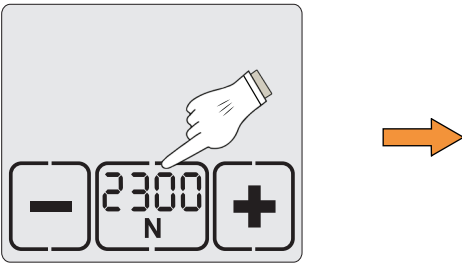
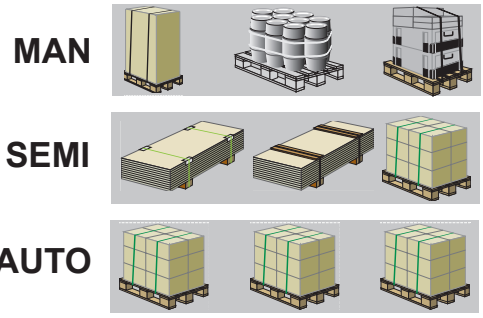
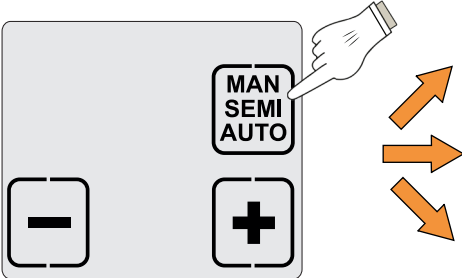
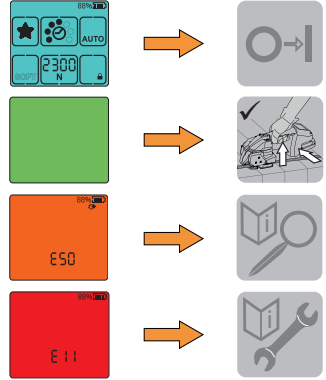
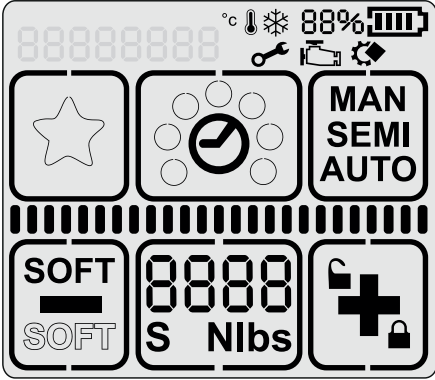
## Operation



For safety regulations,  
refer to operating instructions!



# User interface



# Cleaning/replacing wear parts



## Accessories



## Contact

Signode  
c/o Signode Industrial Group GmbH  
Orgapack Packaging Technology  
Silbernstrasse 14  
Postfach 595  
8953 Dietikon 1, SWITZERLAND  
[www.sigpse.com](http://www.sigpse.com)

[www.signode-bxt.com](http://www.signode-bxt.com)



**SIGNODE**<sup>®</sup>